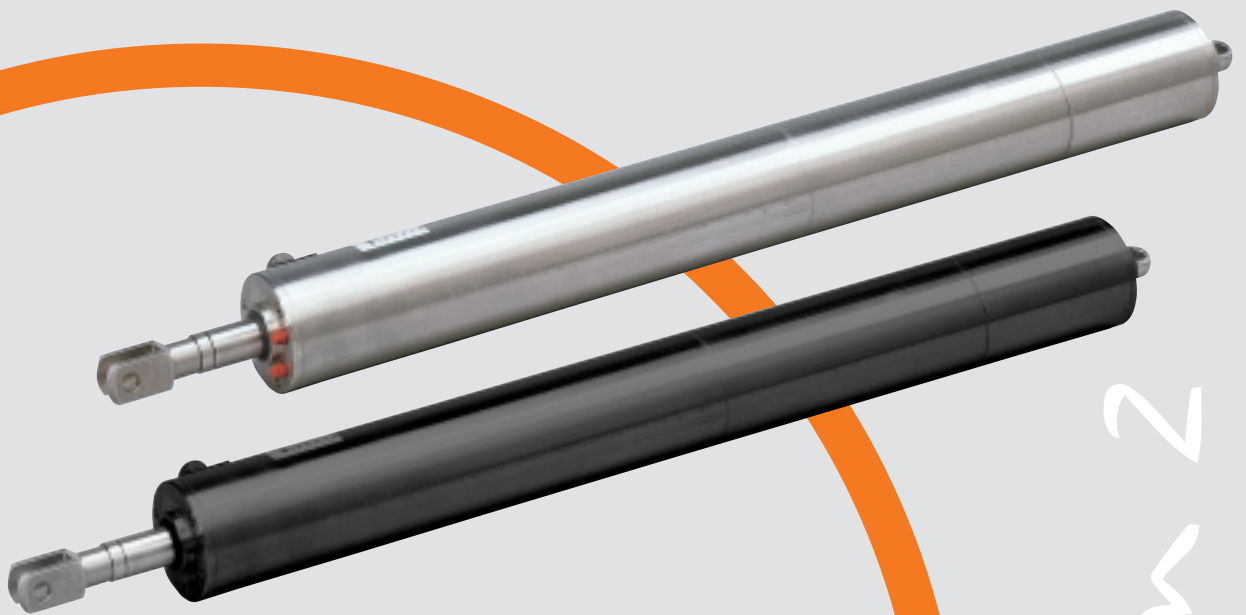


Linear actuator Econom 2



*Our intelligent model:
Econom 2*



Econom 2

Linear actuators Econom 2



Description · Applications · Facts

The users of the Econom 2 come from many different industries: From architects and planners of contemporary façade architecture up to plant construction and mechanical engineering specialists.

Using **either the steel or the stainless steel versions** of the Econom 2, a wide variety of applications is possible.

Calculation example Econom 2 for dimension A

(based on the following requirements)

Pushing and pulling force	20,000 N, 8 mm/s
Stroke	230 mm
Operating voltage	400 V 3 AC, rating: S3 15%
Fixing on piston end	fixed articulated lug
Fixing on housing end	standard articulated lug
Option	potentiometer

Selected version:

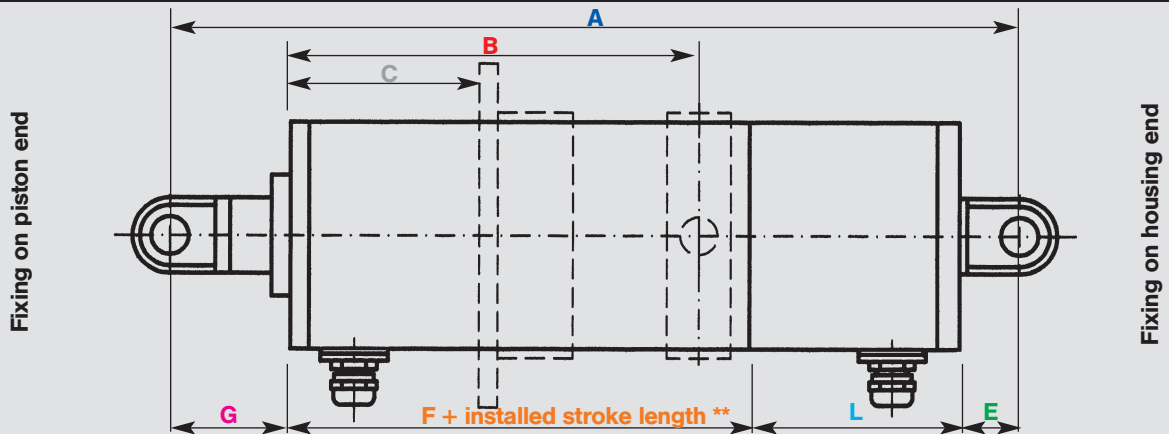
Corresp. force/speed	→ version D	
Dimension G	→ fixed articulated lug	44 mm
Dimension F	→ ver. D, stroke 250-750 mm	549 mm
Inst. stroke **	→ installed stroke length	250 mm
Dimension L	→ option, potentiometer	75 mm
Dimension E	→ standard articulated lug	28 mm
Dimension A min.		946 mm

* brake dimension (75 mm) included ** installed stroke length at 50 mm intervals
1) including 50 mm guide extension

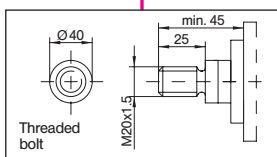
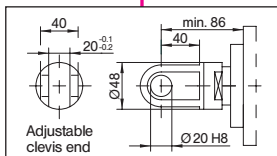
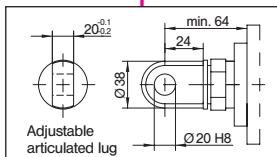
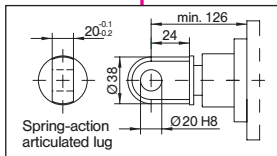
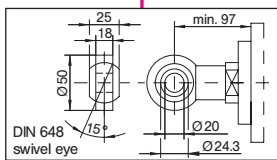
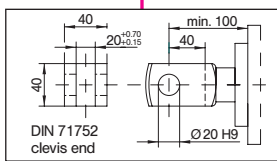
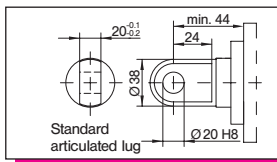
Load (N) and stroke speeds (mm/s)

Version	Stroke speed (mm/s)	400 V-3 AC		24 V DC			Number of add. planetary gear stages	Available with brake only
		Rating: S3 15% F (N)	Nominal current (A)	Rating: S3 15% F (N)	Rating: S3 60% F (N)	Nominal current (A)		
A	45	5000	2.0	-	-	-	-	x
B	30	7000	2.0	-	-	-	-	x
C	14	8000	1.7	-	-	-	-	x
D	8	20000	2.0	8000	-	16	1	x
E	6	20000	2.0	-	-	-	1	
F	4	20000	2.0	-	-	-	1	
G	2	20000	2.0	-	20000	10	2	
H	1	20000	2.0	-	-	-	2	

Technical data and dimensions



Dimension G Fixing on piston end



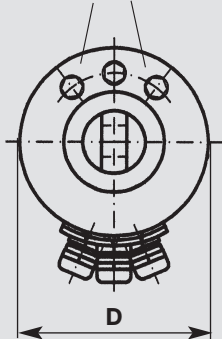
Dimension F

Version Dimensions in mm	Stroke lengths	Stroke lengths	Stroke lengths	Stroke lengths
	50–200 mm 400 V 3AC	250–750 mm 400 V 3AC	50–200 mm 24 V DC	250–750 mm 24 V DC
A*	479	529 ¹⁾	–	–
B*	479	529 ¹⁾	–	–
C*	479	529 ¹⁾	–	–
D*	499	549 ¹⁾	524	574 ¹⁾
E	424	474 ¹⁾	–	–
F	424	474 ¹⁾	–	–
G	444	494 ¹⁾	469	519 ¹⁾
H	444	494 ¹⁾	–	–

Dimension L Extension by addition of accessories

	24 V/400 V
Potentiometer	+ 75 mm
Encoder	+ 75 mm
Force limiter	+ 57 mm
⚠ Extension – Please observe dimension E	

Limit switch adjustment screws



Dimension D

Ø 97 mm
(housing diameter)

Dimension B Pivot attachment

Dimension	
B	> 75 mm max. = stroke
V	105 mm
W	140 mm
X	15 mm
Y	Ø 20 mm
	- 0.03 - 0.05

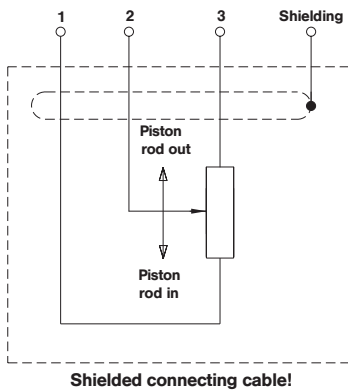
Dimension E Fixing on housing end

<p>Standard articulated lug</p>
<p>DIN 71 752 clevis end</p>
<p>DIN 648 swivel eye</p>
<p>Threaded bolt</p>
<p>Force limiter lug</p>

Dimension C Flange attachment

Dimension	
C	0 or > 60 mm max. = stroke
P	Ø 130 mm
Q	82 mm
R	Ø 8.6 mm
Flange thickness	6 mm

Options and wiring diagrams



Terminal assignment:

Signal:	0 V	+U _B	A	Ā	B	B̄	0	0̄
Core colour:	WH	BN	GN	YE	GY	PK	BU	RD
Without inversion:	WH	BN	GN		YE		GY	

Electrical characteristics:

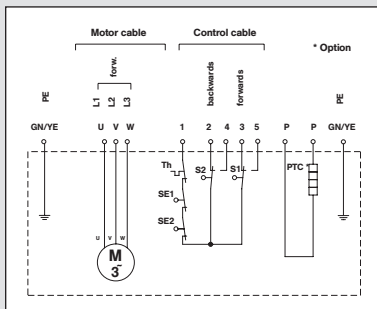
Output circuit	rail to rail	Signal level high	min. UB -2.5 V
Supply voltage	5...24 V DC	Signal level low	max. 0.5 V
Current consumption (without load)	max. 50 mA	Rise time (t)	max. 1 ms
Admissible load / channel	max. 50 mA	Fall time (t)	max. 1 ms
Impulse frequency	max. 160 kHz	Short-circuit proof outputs	yes

CE compliance according to EN 50081-2 and EN 55011 class B.

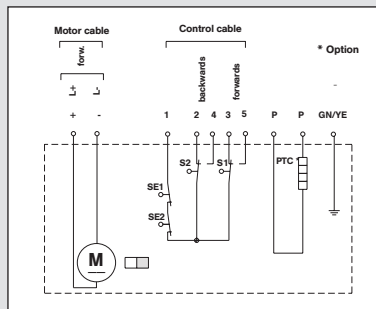
Wiring diagram – Potentiometer

Terminal assignment – Encoder

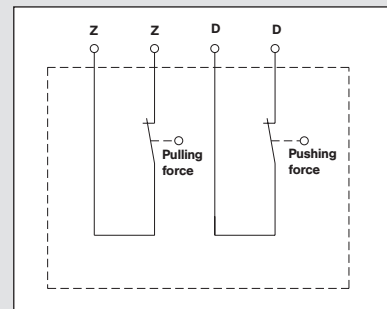
Standard wiring diagrams



DS 0200 / 400 V 3AC



GS 0100 / 24 V DC



Force limiter

- Th = Thermal protection contact
- SE = Safety limit switch
- S1 = Limit switch Piston rod out
- S2 = Limit switch Piston rod in
- PTC = Heating element

Options

- Standard potentiometers (1 kOhm, 5 kOhm, 10 kOhm, 100 kOhm)
- Precision potentiometers (1 kOhm, 5 kOhm, 10 kOhm)
- Encoders (especially 60 or 80 impulses per revolution)
- Brake (supply voltages 24V DC, 230 V 1AC, 400V 1AC)

elero linear actuators



*Tailor-made
solutions for everyone!*

Our wide product range offers powerful and high-quality solutions for an unlimited variety of applications.

Whatever you want to move – at elero you will find the linear actuator to suit your individual requirements.

Interested? Give us a call or send us a fax to receive more information.

We look forward to helping you – for at elero there is something for everyone!

elero GmbH

Linearantriebstechnik

Nassaeckerstrasse 11

D-07381 Poesneck

Phone +49 (0) 3647 / 46 07-0

Fax Reception +49 (0) 3647 / 46 07-40

Fax Purchasing department -41

Fax Sales department -42

Head office:

Linsenhofer Str. 59-63

D-72660 Beuren

Phone +49 (0) 70 25 / 13-02

Fax Reception +49 (0) 70 25 / 13-212

info@elero-linear.de

www.elero-linear.com