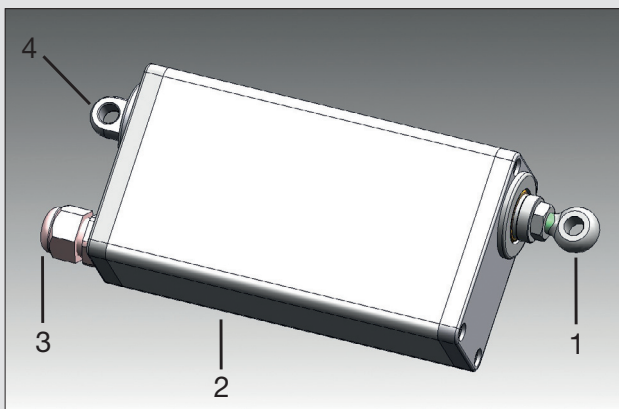


Technical data

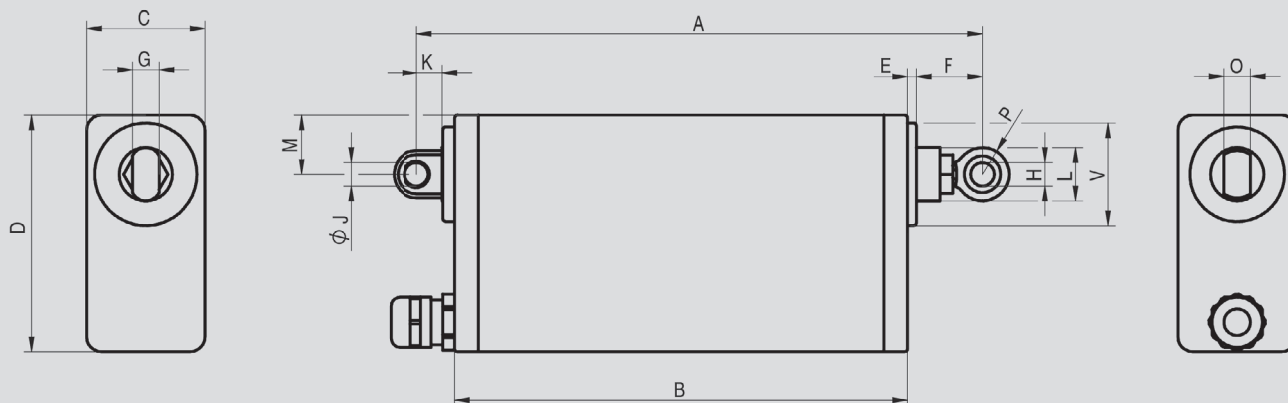
The facts

	Junior 1E-VA
Rated voltage	24 V DC
Load (N)	150 – 550
Stroke length (mm)	50 – 200
Stroke speed (mm/s)	1.6 – 30
Electronic limit switches	adjustable throughout the whole stroke
Piston rod	torsion lock
Protection class	IP 65
Temperature range	-10 °C to +50 °C
Housing	stainless steel 1.4301



- 1) Fixing on piston end
- 2) Housing
- 3) Connecting cable
- 4) Fixing on housing end

Linear actuator Junior 1E-VA



Technical data and versions

Stroke length	A min.	A max.	B	C	D	E	F	G	H	J	K	L	M	O	P	V
							± 2		Ø H9	Ø H9		Ø			R	Ø
50	192	242	153	40	80	3	23	9	8	8	9	20	20	9	8	35
100	242	342	153	40	80	53	23	9	8	8	9	20	20	9	8	35
150	292	442	153	40	80	105	23	9	8	8	9	20	20	9	8	35
200	342	542	153	40	80	153	23	9	8	8	9	20	20	9	8	35

Version	Spindle pitch	Gear reduction	Load	Load	Load	Stroke speed
	(mm)	/1	(N)	(N)	(N)	(mm/s)
			S3-15%	S3-40%	S1-100%	
a	6.0	11	300	200	150	30
b	6.0	15	550	500	300	20
c	3.0	11	550	500	400	15
d	3.0	15			550	10
e	1.5	11			550	5
f	1.5	15			550	1.6

elero GmbH
Linearantriebstechnik

Technical & Sales

Nassaeckerstrasse 11
07381 Poessneck / Germany
Phone: +49 (0) 3647 / 46 07-0
Fax: +49 (0) 3647 / 46 07-42

Order Processing

Linsenhofer Strasse 59-63
72660 Beuren / Germany
Phone: +49 (0) 70 25 / 13-02
Fax: +49 (0) 70 25 / 13-212

E-mail: info@elero-linear.de
Web: www.elero-linear.com